

SK 2" Compact

Automatic Compact (stand alone)
disc filter for low flow rates



inlet/outlet

**50 mm
(2")**

max. flow rate

**20 m³/h
(44 gpm)**

filtration degrees

20 – 400 micron

max. operating pressure

**10 bar
(145 psi)**

features:

- Micron-precise depth filtration of solids
- Innovative disc technology captures and retains large amounts of solids
- Long-term operation with minimal maintenance
- Easy and simple operation
- Short automatic backwash with regulated water volume for a small water footprint
- Compact design

SK 2" Compact



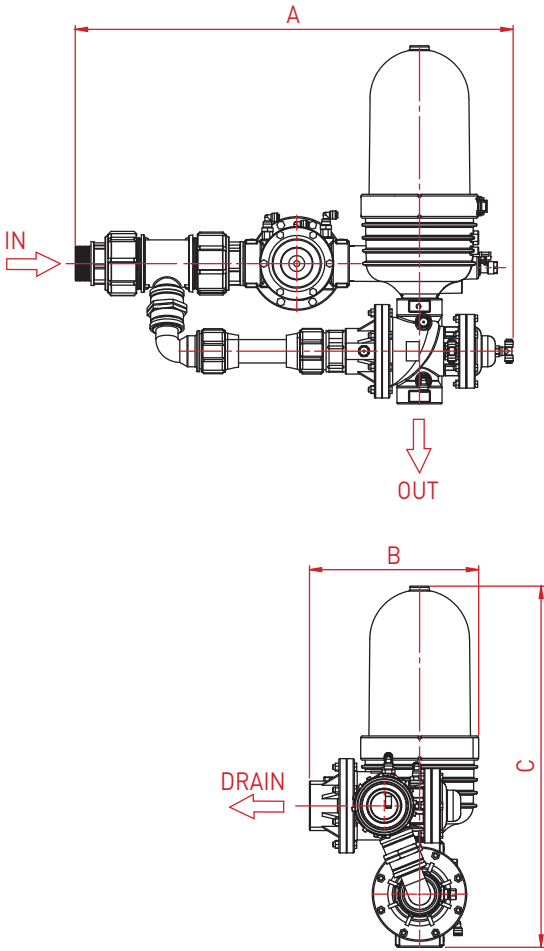
Filter Type	2" Compact
-------------	------------

General Data		
Max. working pressure*	10 bar (145 psi)	
Min. backwash pressure	2.8 bar (40.6 psi)	
Max. recommended flow rates	100μ	15 m ³ /h (88 gpm)
	55μ	10 m ³ /h (44 gpm)
Filtration volume	1,148 cm ³ (70 in ³)	
Filtration area	880 cm ² (1,124 in ²)	
Inlet/Outlet diameter	50 mm (2")	
Max. working temperature*	60°C (140°F)	
Dry weight	20 kg (44 lb)	

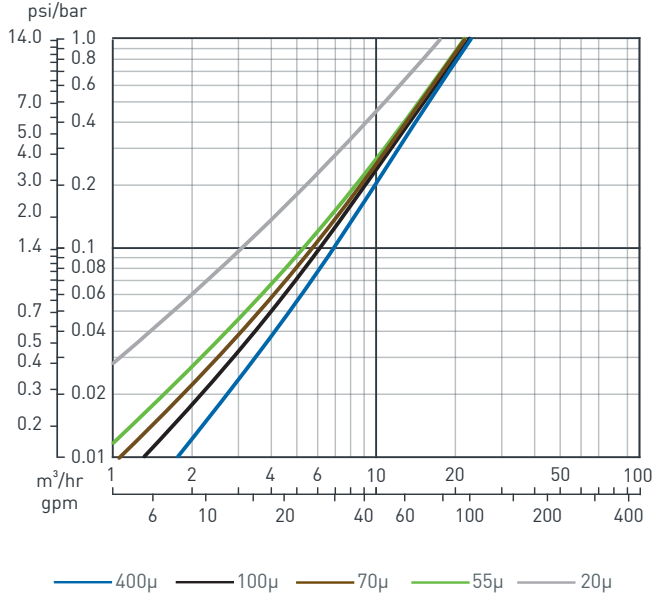
Backwash Data	
Exhaust valve	50 mm (2")
Flushing time	20 sec
Minimum flow for backwash	10 m ³ /h (44 gpm)

* Maximum operating pressure and temperature are interdependent parameters and are given for general reference only. Please consult your authorized Amiad representative for the application specific parameters.

Typical Installation Drawing



Head Loss Graphs (in clean water)



Dimensions		1 unit battery
A	Length	749 mm (29 1/2")
B	Width	287 mm (11 5/16")
C	Height	612 mm (24 3/32")

SK 2" Compact External Source



Filter Type

2" Compact EX.S.

General Data

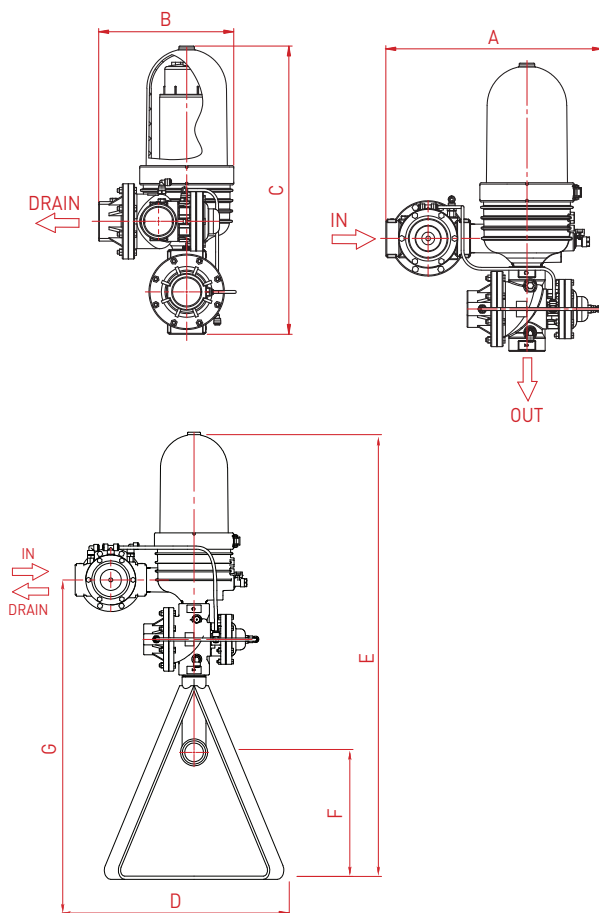
Max. working pressure*	10 bar (145 psi)	
Min. backwash pressure	2.8 bar (40.6 psi)	
Max. recommended flow rates	100μ	15 m ³ /h (88 gpm)
	55μ	10 m ³ /h (44 gpm)
Filtration volume	1,148 cm ³ (70 in ³)	
Filtration area	880 cm ² (1,124 in ²)	
Inlet/Outlet diameter	50 mm (2")	
Max. working temperature*	60°C (140°F)	
Dry weight	20 kg (44 lb)	
Air flow requirements	270 l/min (71 gpm) at 6-8 bar (87-116 psi)	

Backwash Data

Exhaust valve	50 mm (2")
Flushing time	20 sec
Minimum flow for backwash	10 m ³ /h (44 gpm)

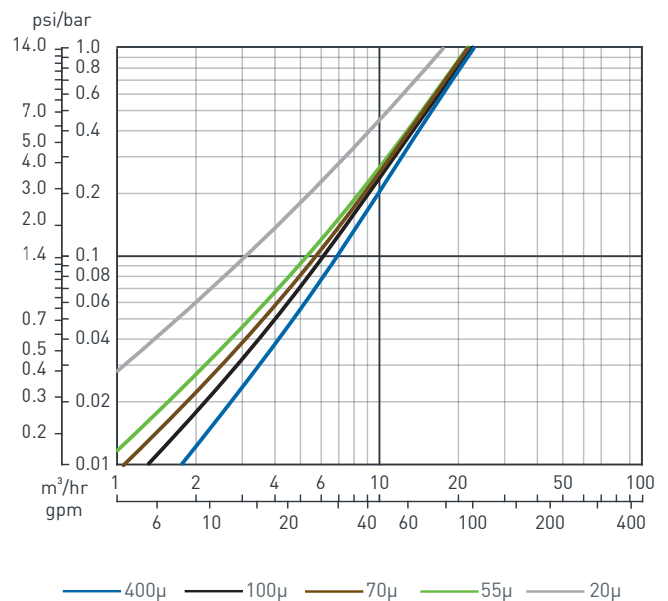
* Maximum operating pressure and temperature are interdependent parameters and are given for general reference only. Please consult your authorized Amiad representative for the application specific parameters.

Typical Installation Drawing



* Option with legs

Head Loss Graphs (in clean water)



Dimensions		1 unit battery
A	Length	460 mm (18.1")
B	Width	287 mm (11.3")
C	Height	612 mm (24")
D	Width	526 mm (20.7")
E	Height	1,127 mm (44.3")
F	Height	320 mm (12.6")
G	Height	755 mm (29.7")

SK 2" Compact Air-Aided



Filter Type

2" Compact Air-Aided

General Data

Max. working pressure*	10 bar (145 psi)	
Min. backwash pressure	2.8 bar (40.6 psi)	
Max. recommended flow rates	100 μ	15 m ³ /h (88 gpm)
	55 μ	10 m ³ /h (44 gpm)
Filtration volume	1,148 cm ³ (70 in ³)	
Filtration area	880 cm ² (1,124 in ²)	
Inlet/Outlet diameter	50 mm (2")	
Max. working temperature*	60°C (140°F)	
Dry weight	33.5 kg (73.7 lb)	

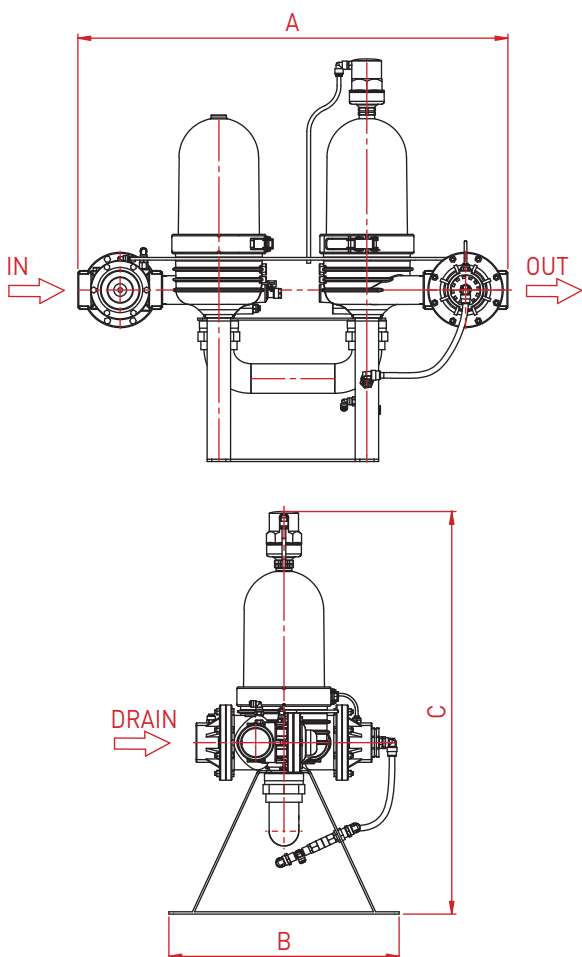
* Maximum operating pressure and temperature are interdependent parameters and are given for general reference only. Please consult your authorized Amiad representative for the application specific parameters.

Backwash Data

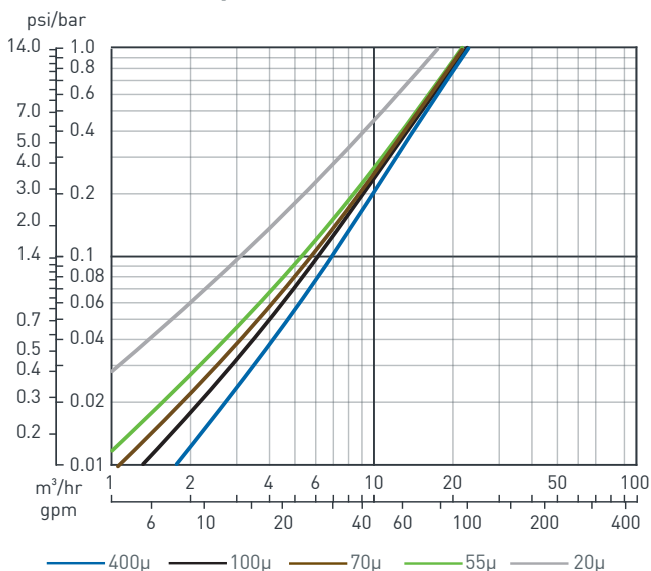
Exhaust valve	50 mm (2")
Flushing time	8 sec
Approx. volume for flushing (not including air)	10 liter (2.6 gallon)

Air-Aided system flushing time and volume depends on air tank size.

Typical Installation Drawing



Head Loss Graphs (in clean water)



Dimensions		1 unit battery
A	Length	915 mm (36 1/32")
B	Width	490 mm (19 9/32")
C	Height	857 mm (33 3/4")

Headquarters

Amiad Water Systems Ltd.

Web: www.amiad.com | E-mail: info@amiad.com

The Americas



USA

Amiad USA Inc.

Web: www.amiadusa.com | E-mail: infousa@amiad.com

Brazil

Amiad Sistemas de Água Ltda.

E-mail: infobrasil@amiad.com

Mexico

Amiad México SA DE CV,

Web: www.amiad.es | E-mail: infomexico@amiad.com

Irrigation office: E-mail: infomexico-irr@amiad.com

Asia



India

Amiad Filtration India Pvt Limited

Web: www.amiadindia.com | E-mail: info-india@amiad.com

China

Amiad China (Yixing Taixing Environtec Co., Ltd.)

Web: www.amiad.com.cn | E-mail: infochina@amiad.com

South-East Asia

Filtration & Control Systems Pte. Ltd.

E-mail: info-singapore@amiad.com

Australia



Amiad Australia Pty Ltd.

Web: www.amiad.com.au | E-mail: sales@amiad.com

Europe



Amiad Water Systems Europe SAS

E-mail: industry-europe@amiad.com

German branch office

E-mail: industry-de@amiad.com

United Kingdom

Amiad Water Systems UK Limited

E-mail: info-uk@amiad.com

